


The *Kanya* column series is designed for lighting large areas, and in particular, areas defined by their status as city limits and large public areas. Formed by columns with a truncated cone cross section, and with a slight inclination of 85° and a variable height, and fitted with a support and cable exit compatible with any circular projector anchored with bow shackles, and with a variable number depending on their height.

CE | UNE-EN 40-5 | Galvanized steel |  |  18 m/max |  510 kg

Add-ons: 

 Update 03.06.2020



O. Tarrasó, J. Enrich, J. Artigues, M. Roig 1996

Origin

Originally designed as lighting for the beaches along the sea front in the city of Barcelona, following their transformation into public areas.

Concept

The reference that evokes thin fishing rods driven into the sand and leaning towards the sea served as a basis for inspiration when they were first installed along the edges of the beaches of Barcelona.

Adaptable

Supplied in different heights of 15, 12 and 10 metres and fitted with 6, 4 and 3 standard projector supports, respectively. The Kanya collection also includes a vertical column of 18 metres made in two sections. A lower one of 11.40

metres and an upper one of 6.6 metres. The latter is supplied with 6 projector supports laid out in a spiral staircase arrangement.

Material

Made from Corten steel or galvanized steel fitted with 6, 4 or 3 supports for the recommended circular projectors.

Installation

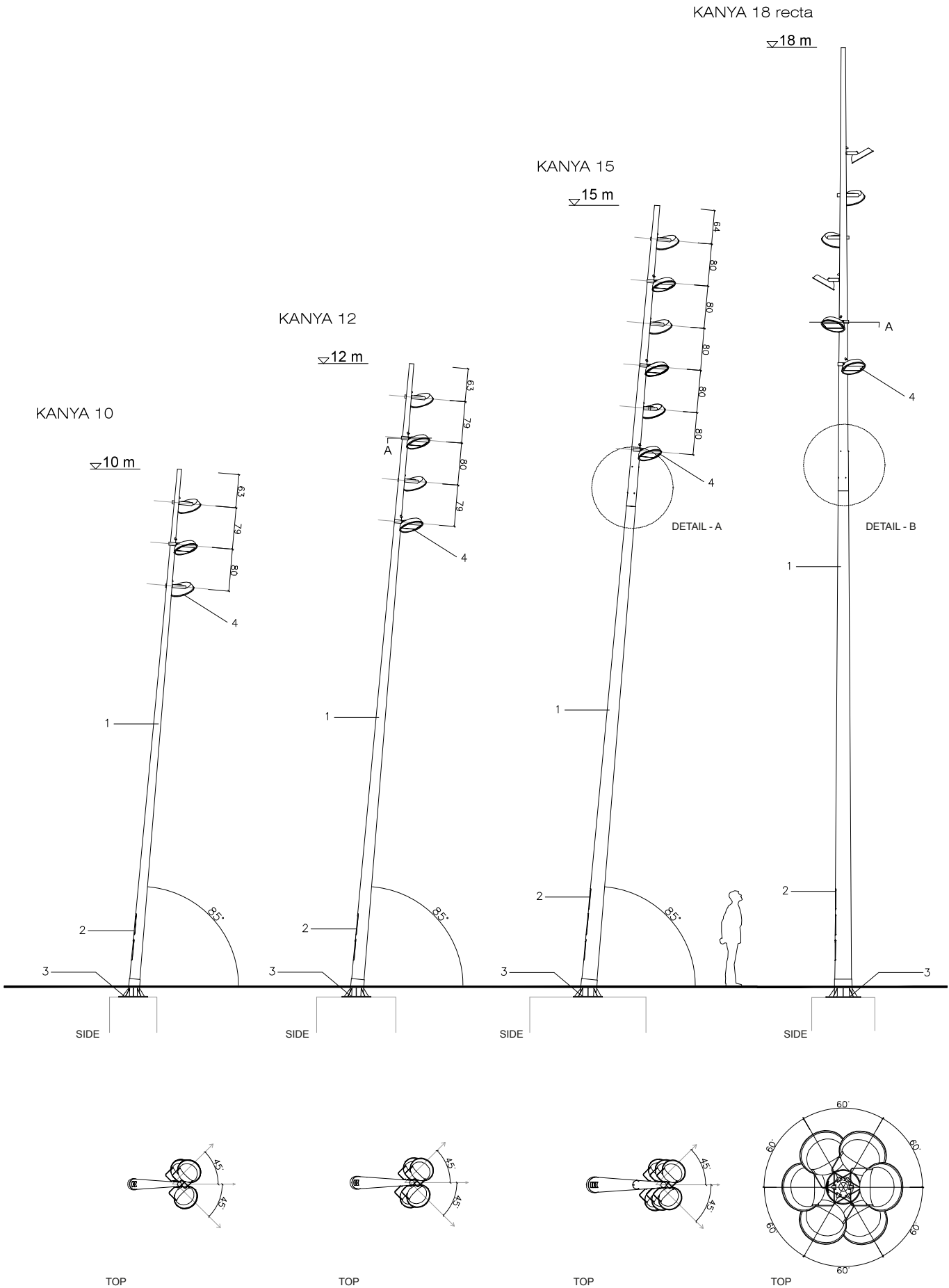
Must be unloaded and handled with slings. Anchored with a base plate and eight threaded bolts to a concrete foundation with the recommended generic dimensions.





1. Column

1.1. Design options



1.2. Features

Material	Galvanised steel / Cor-ten steel	Weight	K-10: 213kg; K-12: 284kg; K-15: 422kg, K-18: 510kg
Dimensions	10m / 12m / 15m / 18m	Thickness	Galvanised K-10, K-12: 4mm Galvanised K-15, K-18: 5mm Cor-ten 5mm

Finish

A. Hot-dip galvanized steel
B. Hot-dip galvanized steel and RAL powder-coated or cor-ten effect.
 1. Zinc rich epoxy primer.
 2. Two-component polyurethane coating satin.
C. Cor-ten.



A. Galvanised

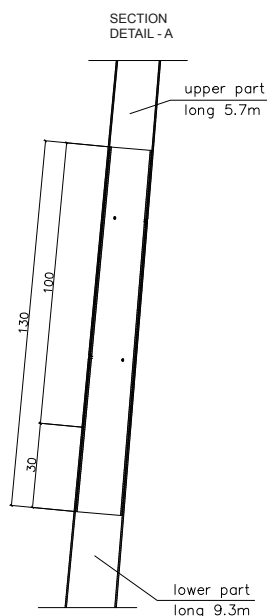
B. Galvanized and powder-coated, RAL or cor-ten effect

C. Cor-ten

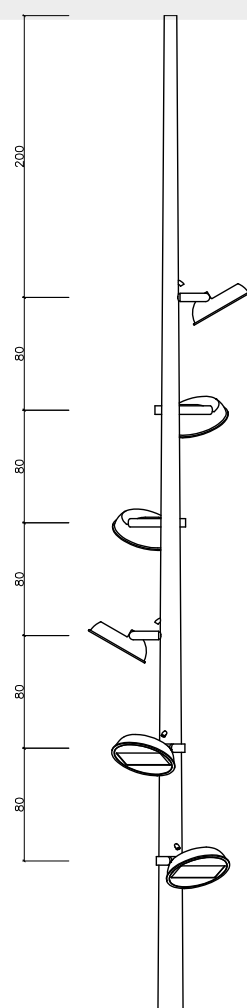
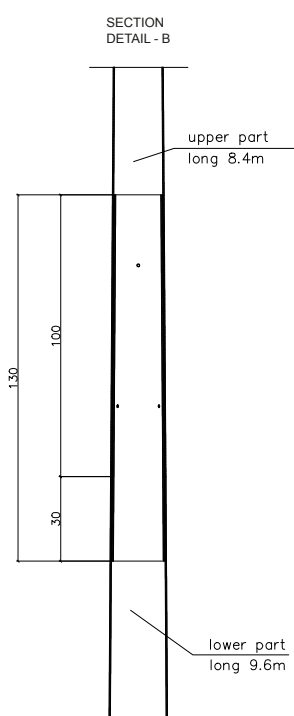
Post regulations	Galvanised. UNE-EN 40-5:2002 Cor-ten. No regulation associated.	Reinforcement	Bottom ring 6 mm thickness
-------------------------	--	----------------------	----------------------------

1.3. Details

KANYA 15



KANYA 18

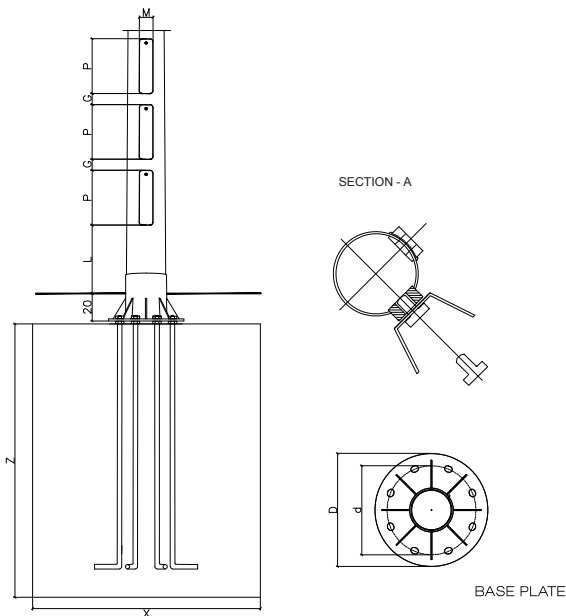




KANYA

Escofet®

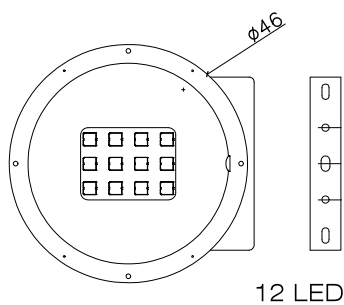
1.4. Foundation



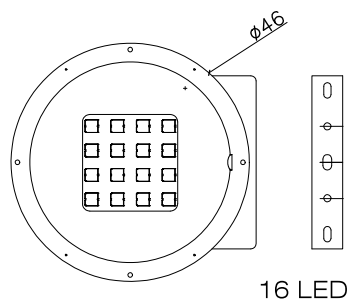
COLUMNAS columns	H=10 m	H=12 m	H=15 m	H=18 m
∅ SUP	77 mm	88 mm	102 mm	88 mm
∅ INF	202 mm	238 mm	290 mm	321 mm
L	500 mm	500 mm	500 mm	500 mm
PUERTAS REGISTRO inspection hatch	2	2	3	3
P	400 mm	400 mm	400 mm	400 mm
M	100 mm	100 mm	100 mm	100 mm
G	80 mm	80 mm	80 mm	80 mm
PLACA BASE base plate				
pernos (8)	M-22x700	M-24x800	M-24x800	M-24x800
D	550mm	550mm	550mm	
d	425mm	425mm	425mm	
E	15mm	15mm	20mm	
CIMENTACIÓN (dim. orientativas) foundation (approx. dimensions)				
X	90 cm	150 cm	150 cm	160 cm
Y	90 cm	150 cm	220 cm	160 cm
Z	120 cm	150 cm	180 cm	180 cm
PROYECTORES projectors	3	4	6	6

2. Lighting

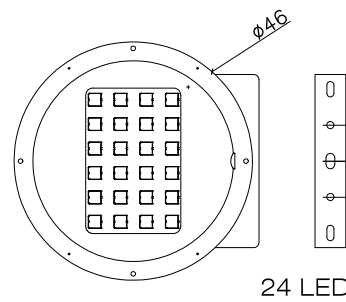
Recommended floodlights



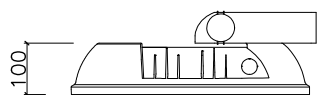
12 LED



16 LED

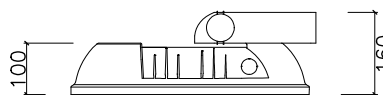


24 LED



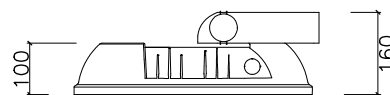
Astro LED Disano

94 W



Astro LED Disano

125 W



Astro LED Disano

187 W



The names, trade marks and industrial models of the products have been deposited in the corresponding registries. The technical information provided by Escofet about its products may be modified without prior notice.

Escofet 1886 S.A
Head office and production

Montserrat, 162
E 08760 Martorell
Barcelona - España
T. 0034 937 737 150
F. 0034 937 737 151

info@escofet.com
www.escofet.com



GA-2005/0072 SST-0090/2010 ER-0403/2016